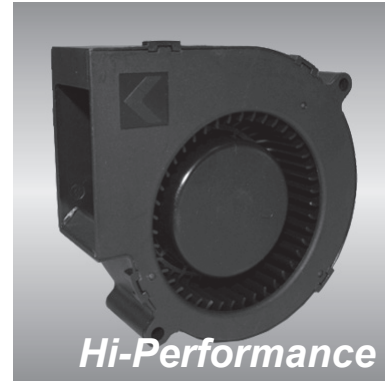


# 97 BG series

x97x33mm



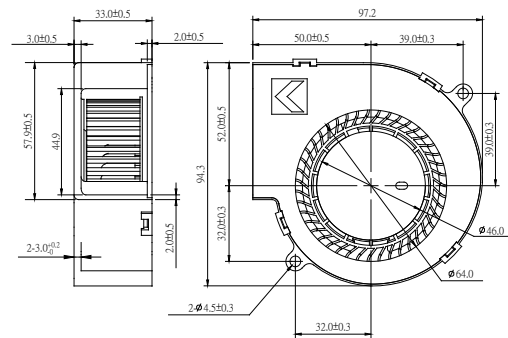
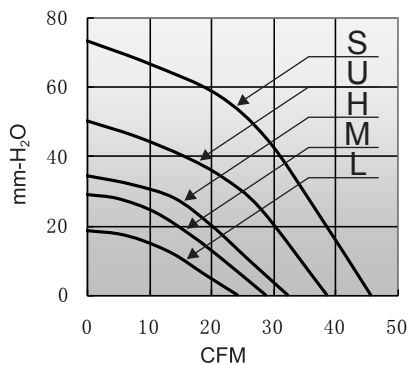
## General Specifications

- Motor : 4 Poles brushless DC motor
- Frame & Impeller : Plastic(UL 94V-0)
- Storage temperature : -40° to +75°
- Operating temperature : -10° to +70°

## Major Characteristic Parameters

Model	Bearing System	Rated Voltage	Operating Voltage Range	Rated Current	Rated Speed	Maximum Air Flow		Maximum Static Pressure		Sound Level	Weight
Part NO.	B / S / F	V	V	A	RPM	m <sup>3</sup> /min	CFM	mm-H <sub>2</sub> O	In-H <sub>2</sub> O	dBA	g
BGF09733_12L	B	12	7.0~13.2	0.38	2700	0.69	24.20	18.93	0.745	48.0	180
BGE09733_12M	B	12	7.0~13.2	0.66	3200	0.82	28.67	29.18	1.149	52.4	180
BGE09733_12H	B	12	7.0~13.2	0.88	3600	0.91	32.13	34.45	1.356	54.7	180
BGE09733_12U	B	12	7.0~13.2	1.55	4200	1.09	38.63	50.59	1.992	58.5	180
BGE09733_12S	B	12	7.0~13.2	1.90	5000	1.29	45.57	73.64	2.900	62.5	180

\*Bearing system B: Two Ball Bearing F: Fluid Bearing S: Sleeve Bearing



unit:mm